

3250 Series LCD Touch Screen Monitor

Large Format Interactive LCD
 Display Werks part #3250-TU-FWD32LX2F-2S

- 32" TFT AMLCD Touch Screen
- Integrated rugged SAW (Surface Acoustic Wave) Touch Screen
- Supports multiple video inputs
- 1366 x 768 High Resolution
- Superior Service and Support
- 1 Year Warranty (Monitor)
- 3 Year Warranty (Touch Screen Controller)
- 3 Year Warranty (Touch Screen)



LCD Monitor Model: Sony FWD-32LX2F

LCD Element: 32" diagonal LCD

Max. Resolution: (pixels) 1366 x 768

Pixel Pitch: 51 x 51 mm

Max. Colors: 16.77 Million colors (8 bits/color)

Display Response Time: 8 ms

Viewing Angle: 176° right/left/up/down

Screen active area: inch (mm) 27-1/4 x 15-3/16 (692.2 x 385.8)

Contrast Ratio: 1300:1

Brightness: 500 cd/m2

Power Requirements: AC 100V—240 V, 50/60 Hz

Operating Temperature: 0° C to 35° C

Operating Humidity: 20% to 90% (no condensation)

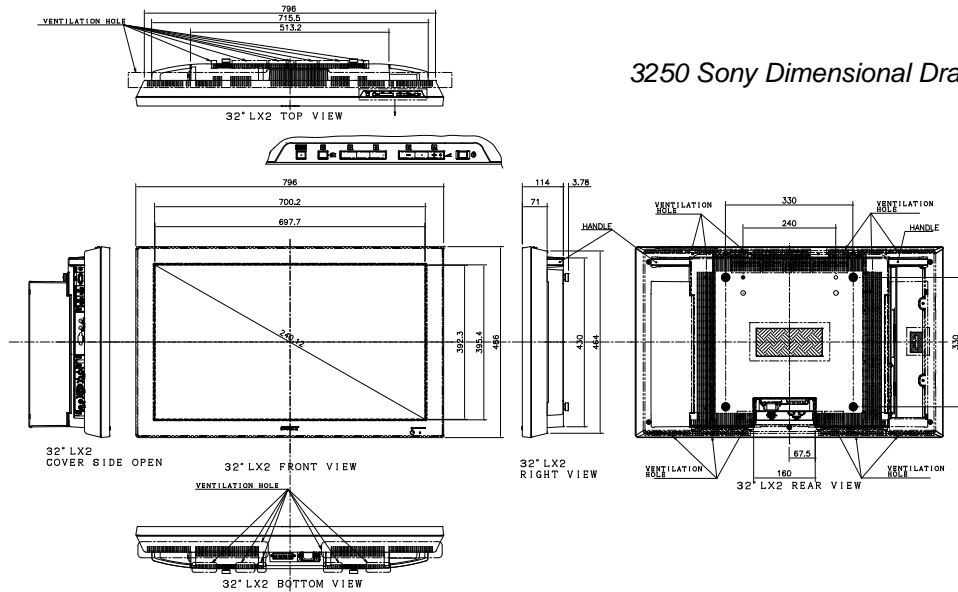
Power consumption: 120W in operation

Dimensions: Approx. 31-9/16 x 19-3/8 x 4-1/2 (802 x 492 x 114) excluding protrusions, with Touch Screen Installed.

Weight lbs.: (kg) Approx. 44.5lbs (20.2) with integrated Touch Screen installed.

Input Terminals		Output Terminals	
HDMI™ Connections: 2 HDMI	2 x HDMI ver 1.1	Analog Audio	Speaker Out (L/R) 7W + 7W
HD Component Video Input	RGB/Component in: D-sub 15 Pin female	Control S	1 (side)
Video In (BNC)	1 (when Video is used, S-video is inactive)	S-Video Out	Mini Din 4-pin (x1) Loop through
Serial (RS-232)	D-sub 9 Pin x 1	Composite Video	BNC (x1) Loop through
Control S-Input	1 (Side)	Quality and Innovation in LCD Integration.™	
PC Audio	Shared Between 2x HDMI and HD-15		
S-Video	Mini Din 4-pin (x1) (when S-video is used, Composite video is inactive)		
Analog Audio	Pinjack x2		

3250 Series LCD Touch Screen Monitor
 Large Format Interactive LCD
 Display Werks Part #3250-TU-FWD32LX2F-2S



3250 Sony Dimensional Drawing

Surface Acoustic Touch Screen Specifications:

- **Total additional weight to monitor:** 9.5 lbs.
- **Construction:** Glass panel with transducers attached to the front surface of the glass substrate.
- **Positional Accuracy:** Standard deviation of error is less than 0.080 in (2.03 mm) Equates to less than 1% error on most displays.
- **Light Transmission:** Up to 92%.
- **Operating Temperature:** -20°C to 50°C
- **Touch Active Force:** Less than 3 ounces
- **Operational Altitude:** 10,000 ft Above Sea Level
- **Expected Life Performance:** No known wear-out mechanism, as there are no layers, coating, or moving parts. This SAW technology has been operationally tested to more than 50 million touches in one location without failure, using a stylus similar to a finger.
- **Total Additional Depth to Sony FWD-32LX2F:** 1/4"

Touch screen Connector Specifications:

- **USB 2.0**
- **Maximum Single Cable Length:** 5m (16.4 ft)

Note: Distances over 5M can be achieved by using a USB extension system.

Note: Power for the LCD monitor itself requires a connection to a 110 VAC receptacle. In addition the 3250 and 4050 series SAW touch screen monitors require an external power supply to drive the integrated touch screen controller. This small form factor 110 VAC to dc power supply is included with every 3250 and 4050 series SAW touch screen monitor.